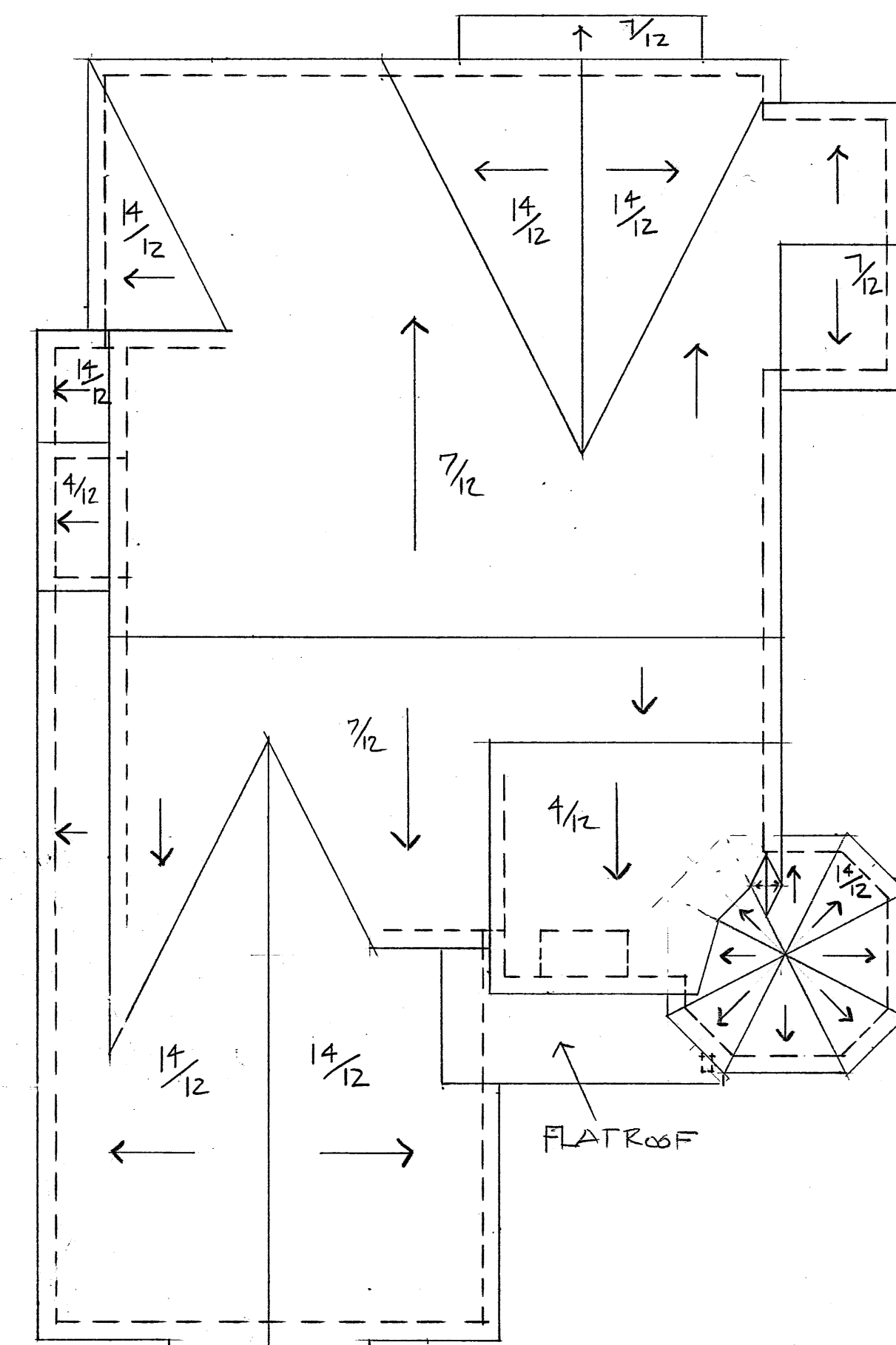
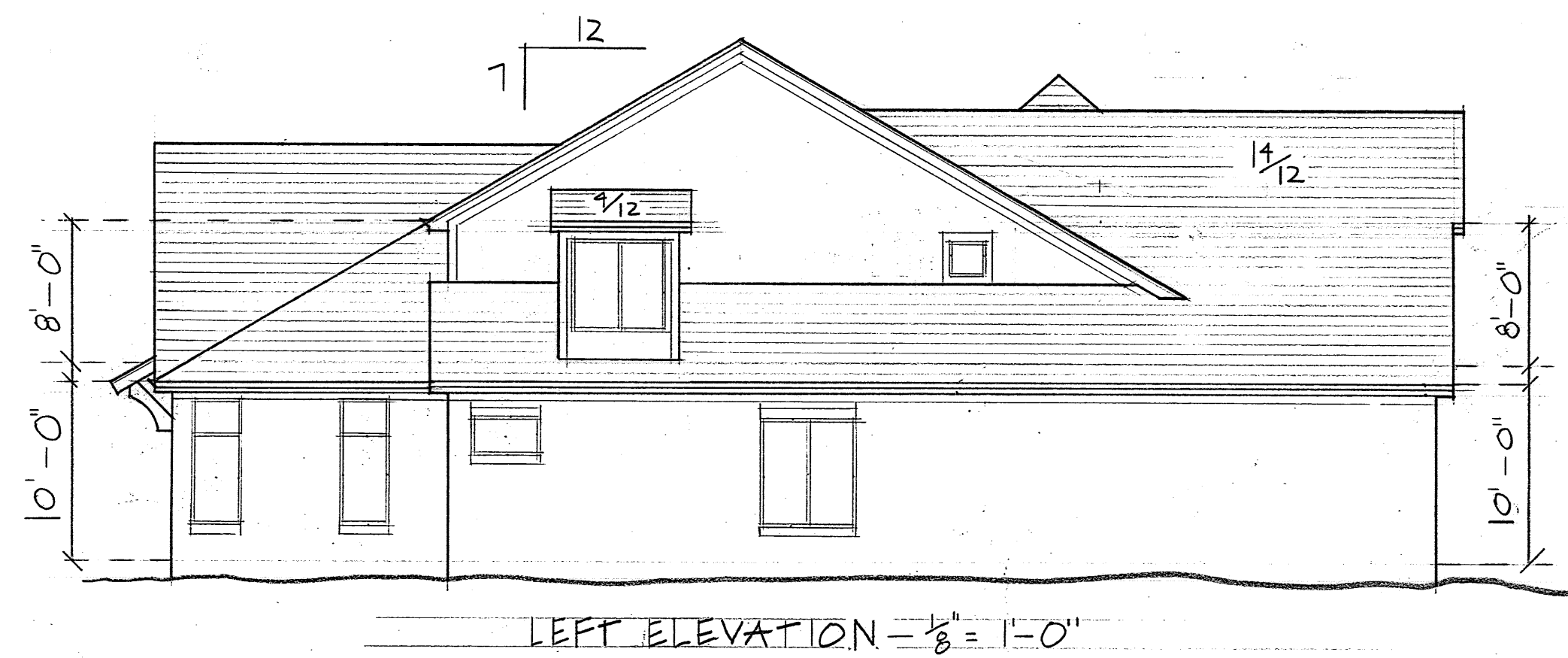


©COPYRIGHT DALE PEER - HOME DESIGN, INC.
 + DOBBS and STUHLSATZ HOMES, L.L.C.



ROOF PLAN - 1/8" = 1'-0"
 SLOPES AS NOTED



These drawings and notes constitute what is referred to in the industry as a "Builder's Set". They have been produced with limited construction detail on the assumption that the Builder, as a trained professional, will provide the necessary construction detail for the mechanical, plumbing and electrical systems. If the Builder is unclear or unfamiliar with the structural connections or any other process chosen to construct this building, consult with the appropriate registered Engineer immediately. General Contractor shall be responsible for obtaining all necessary permits and approvals from the local authorities prior to start of construction. Construction to conform to all local regulations and restrictions.

AUGUST 23, 2016